

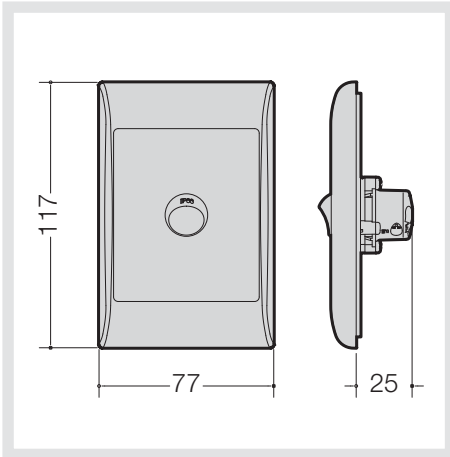
### Specifications

Rating - 10A, 240V

IP rating - 66

Switching - 2 way

## WBWSXX



### Installation Instructions

**All hagerblu IP rated switches MUST be installed as per manufacturers instructions to maintain the integrity of the IP rating**

When mounting the switch, ensure the surface is:

- Smooth & flat
- Free of dust or grime
- Must be non porous

Ensure there are no gaps between the sealing gasket and the wall surface.

If fitting to a wall box or stud mounting bracket do not use any other screws than the screws provided with the fitted 'O' ring.

Ensure the stud mounting brackets or boxes are below the surface.

If fitting to a solid wall using the alternative mounting holes, place the bungs provided in the standard 84mm mounting holes.

Failure to follow the manufacturers instructions will void any warranty offer.